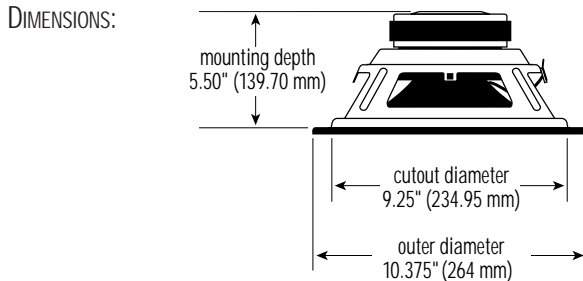
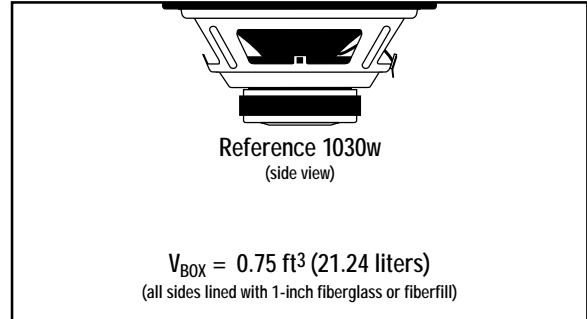


SPECIFICATIONS

DIAMETER:	10" (254.0 mm)
SENSITIVITY (2.83 V @ 1 m):	88 dB
POWER HANDLING:	250 W _{RMS} 1000 W _{PEAK}
FREQUENCY RESPONSE:	25 ~ 400 Hz
NOMINAL IMPEDANCE:	4 OHMS
VOICE-COIL DIAMETER:	2.0" (50.0 mm)



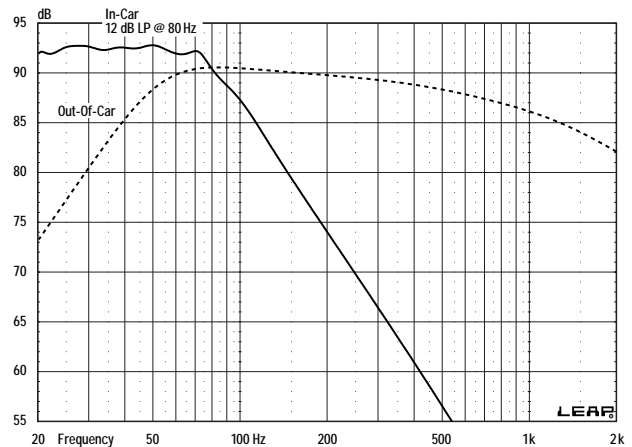
SEALED BOX VOLUME (INCLUDES DRIVER DISPLACEMENT)



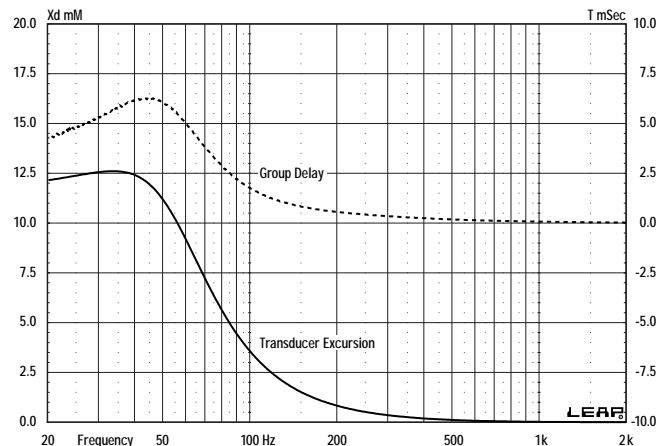
THIELE-SMALL PARAMETERS

VOICE COIL DC RESISTANCE:	R_{EVC} (OHMS)	3.48
VOICE COIL INDUCTANCE @ 1 kHz:	L_{EVC} (MH)	2.59
DRIVER RADIATING AREA:	S_D (IN ²)	55.03
	S_D (CM ²)	355.00
MOTOR FORCE FACTOR:	BL (TM)	14.96
COMPLIANCE VOLUME:	V_{AS} (FT ³)	1.26
	V_{AS} (LITERS)	35.72
SUSPENSION COMPLIANCE:	C_{MS} (µM/N)	202.00
MOVING MASS, AIR LOAD:	M_{MS} (GRAMS)	143.05
MOVING MASS, DIAPHRAGM:	M_{MD} (GRAMS)	139.20
FREE-AIR RESONANCE:	F_S (HZ)	29.62
MECHANICAL Q:	Q_{MS}	6.24
ELECTRICAL Q:	Q_{ES}	0.41
TOTAL Q:	Q_{TS}	0.39
MAGNETIC-GAP HEIGHT:	H_{AG} (IN)	0.31
	H_{AG} (MM)	8.00
VOICE-COIL HEIGHT:	H_{VC} (IN)	1.27
	H_{VC} (MM)	32.50
MAXIMUM EXCURSION:	X_{MAX} (IN)	0.49
	X_{MAX} (MM)	12.25

SEALED FREQUENCY RESPONSE @ 2.83 V



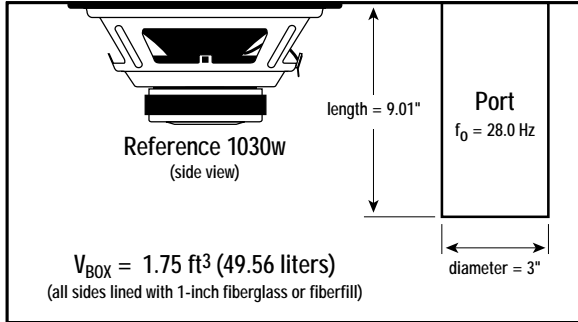
SEALED EXCURSION/GROUP DELAY @ 250 W



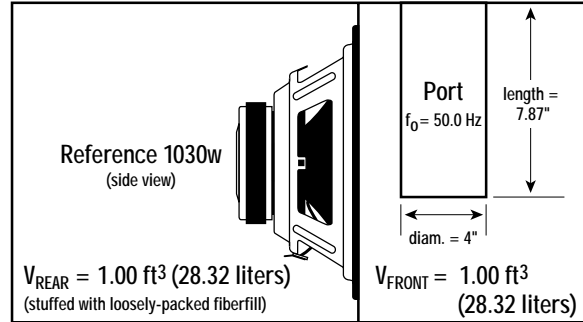
Infinity *Reference 1030w 10" Woofer – Technical Data*

CAR AUDIO

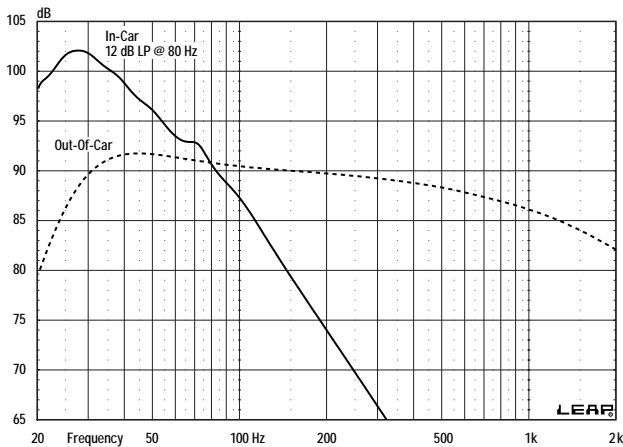
VENTED BOX VOLUME (INCLUDES DRIVER/PORT DISPLACEMENTS)



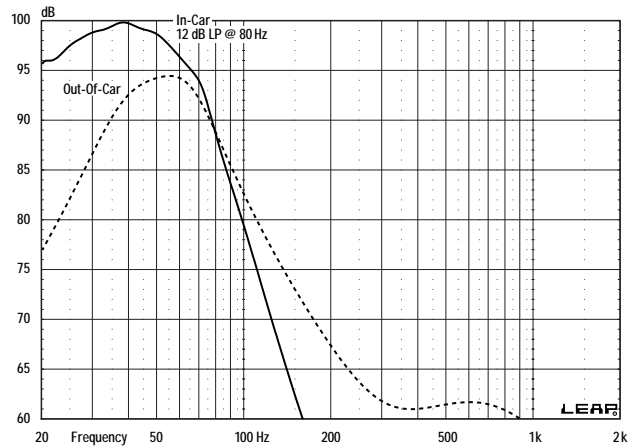
SEALED BANDPASS BOX VOLUME (INCLUDES DRIVER/PORT DISPLACEMENTS)



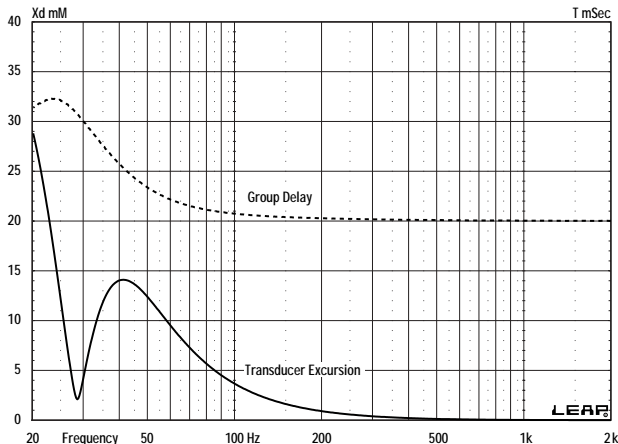
VENTED FREQUENCY RESPONSE @ 2.83 V



SEALED BANDPASS FREQUENCY RESPONSE @ 2.83 V



VENTED EXCURSION/GROUP DELAY @ 250 W



SEALED BANDPASS EXCURSION/GROUP DELAY @ 225 W

